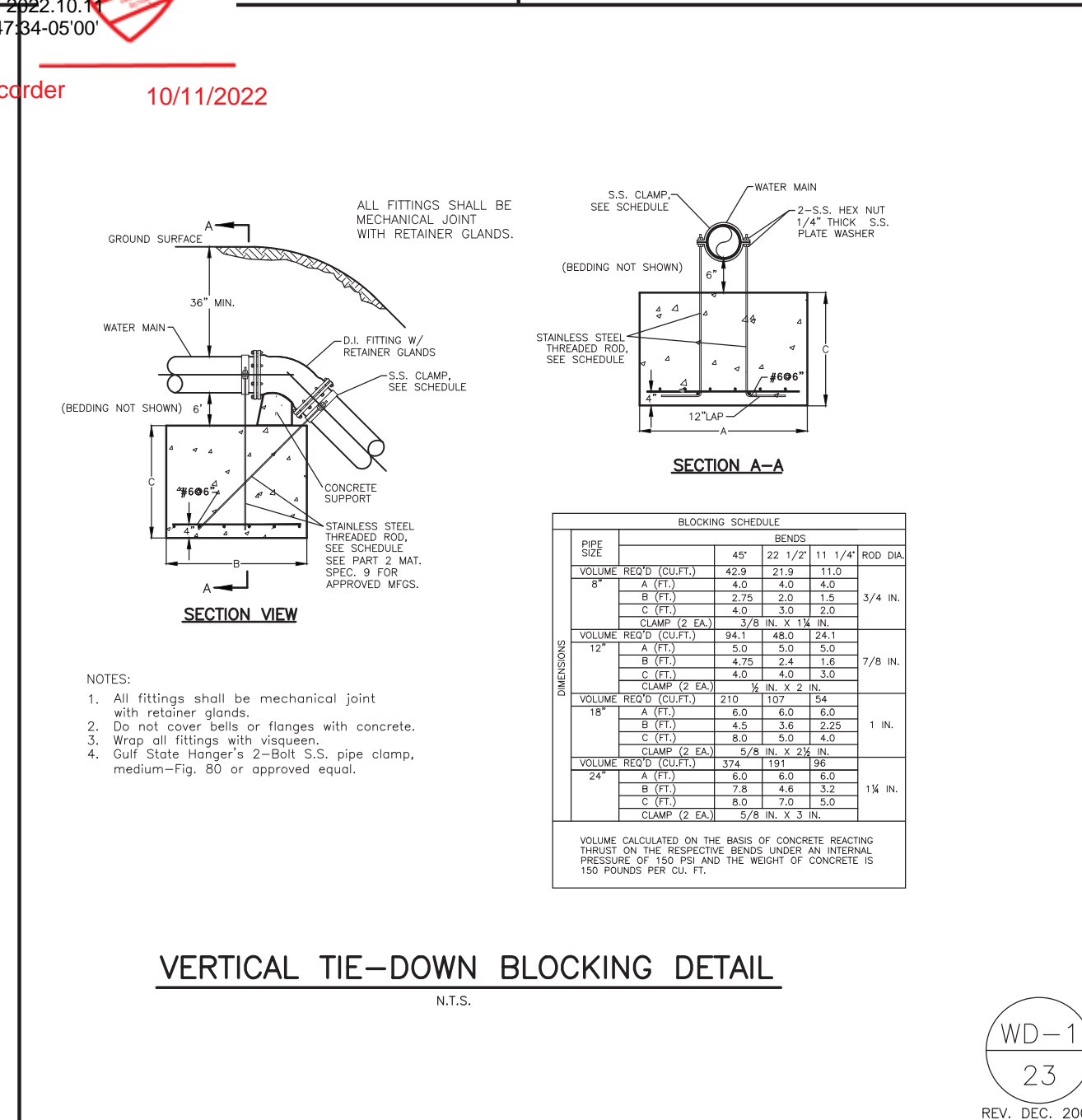
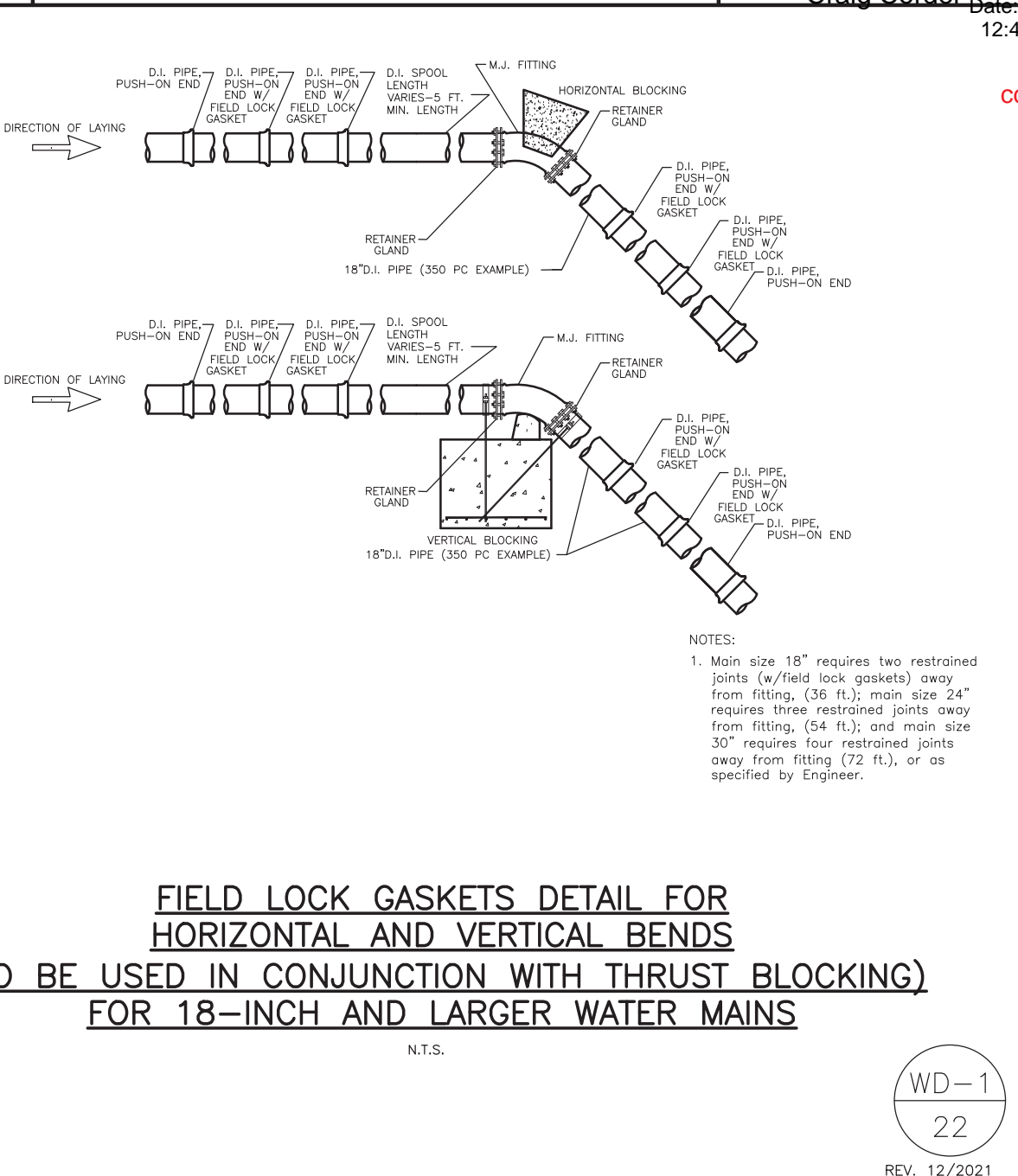
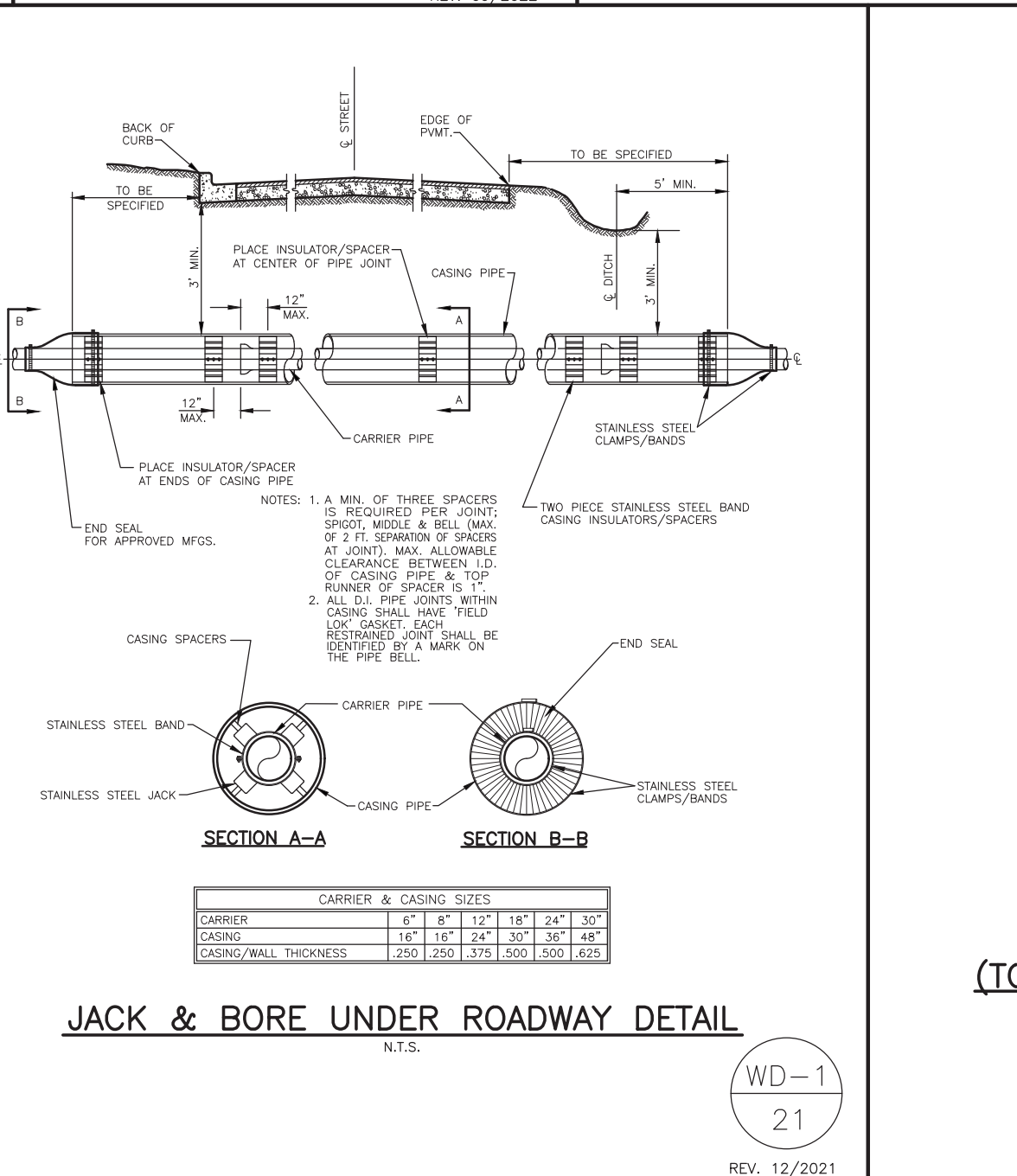
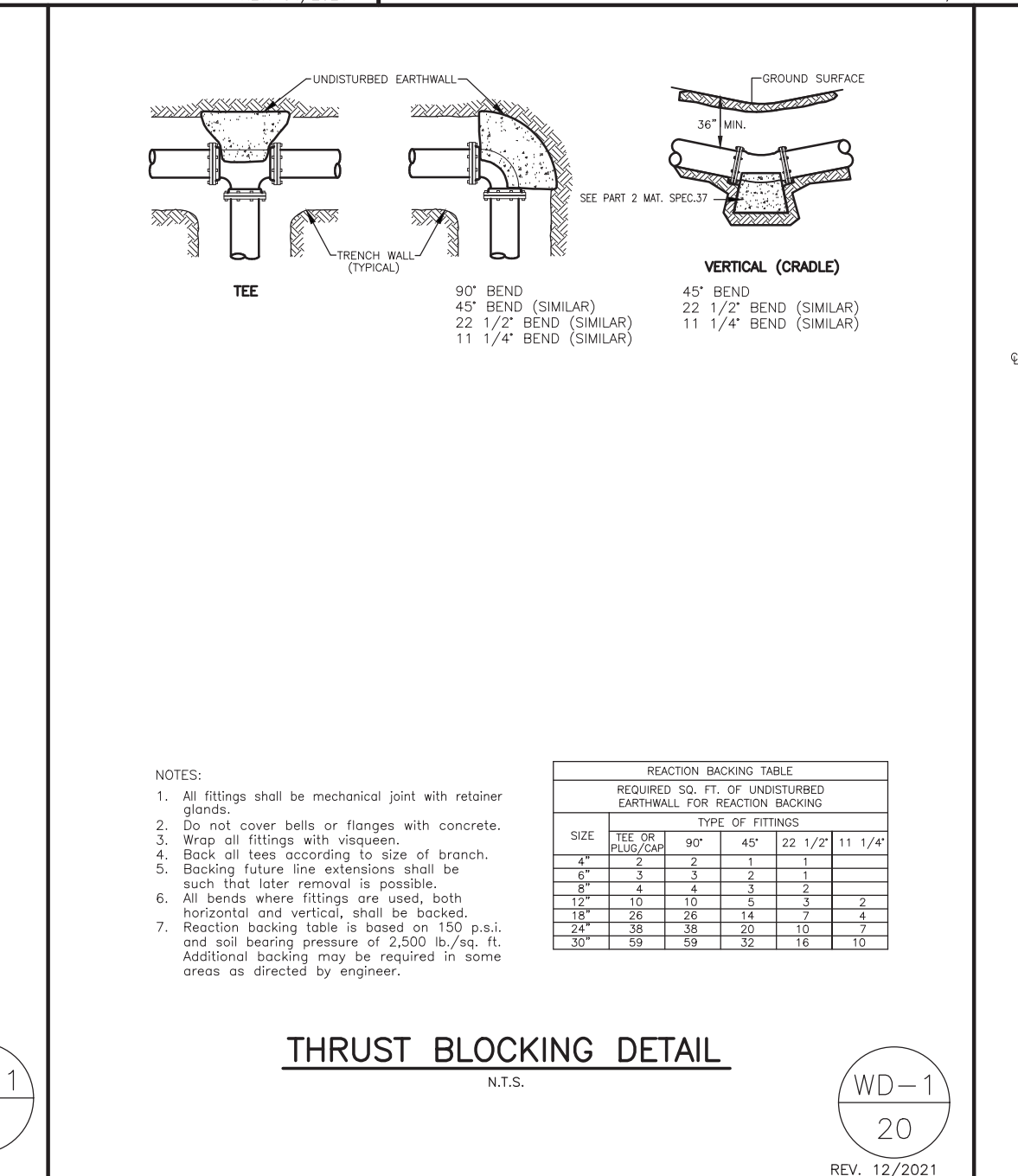


GENERAL CONSTRUCTION NOTES:

- The contractor will be held solely responsible for damage occurring to any property during the construction of this project. Said contractor shall take all necessary precautions to prevent property damage.
- In accordance with generally accepted construction practices, the contractor will be solely and completely responsible for conditions of the job site, including safety of all persons and property during performance of the work. This requirement will apply continuously and not be limited to normal working hours.
- The duty of Rogers Water Utilities to conduct construction inspection or review of the contractor's performance is not an inspection or review of the competency of the contractor's safety measures in, on, or near the construction site.
- All water and sewer improvements shall be constructed in accordance with the latest revision to the Rogers Water Utilities Standard Specifications.
- The contractor is specifically cautioned that the location and/or elevation of existing utilities as shown on these plans is based on records of the various utility companies and, where possible, measurements taken in the field. The information is not to be relied on as being exact or complete. The contractor must call the appropriate utility company at least 48 hours before any excavation to request exact field location of utilities. It shall be the responsibility of the contractor to relocate all existing utilities which conflict with the proposed improvements shown on the plans.
- Contractor is to remove and dispose of all debris, rubbish and other materials resulting from previous and current demolition operations. Disposal will be in accordance with all local, state and/or federal regulations governing such operations.
- Prior to installation of any utilities, the contractor is to excavate, verify, and calculate all crossings and inform the Rogers Water Utilities of all crossings prior to construction.
- Construction shall not start on any water utility until approval is given by Rogers Water Utilities. Said contractor shall not operate any valve, hydrant, or water utility appearance nor shall he attach to or tap any water utility main without approval. The contractor shall bear the cost and consequence of any disruption of utility operation caused by construction.

WD-1
19
REV. 12/2021



GUARDPOST DETAIL

WD-1
24
REV. 12/2021

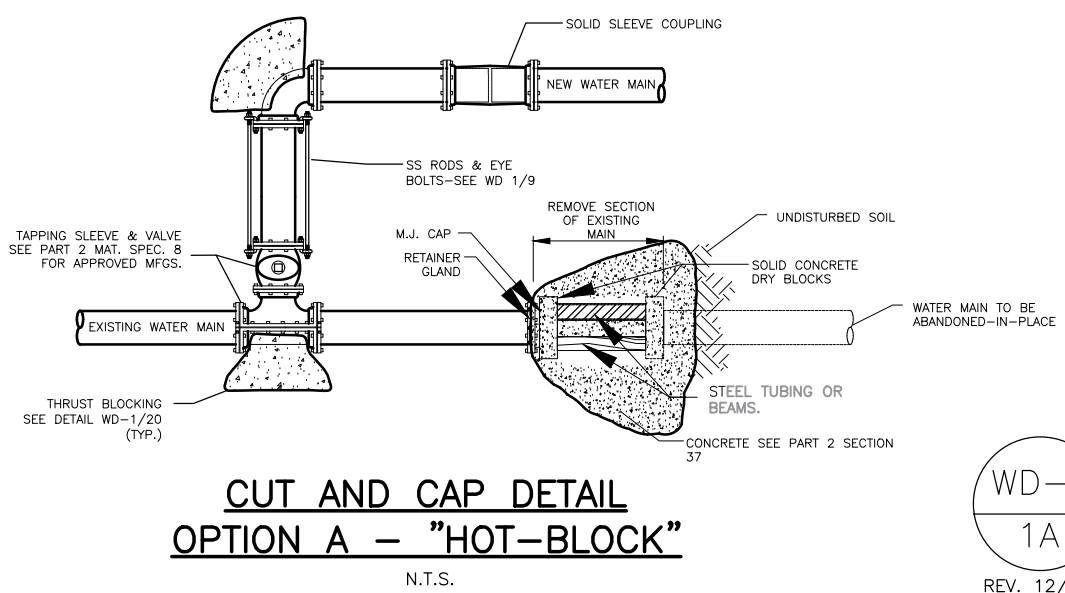
WATER DETAILS

RWU ROGERS WATER UTILITIES

P.O. DRAWER 338
601 SOUTH 2ND ROGERS, ARKANSAS
72757-0338

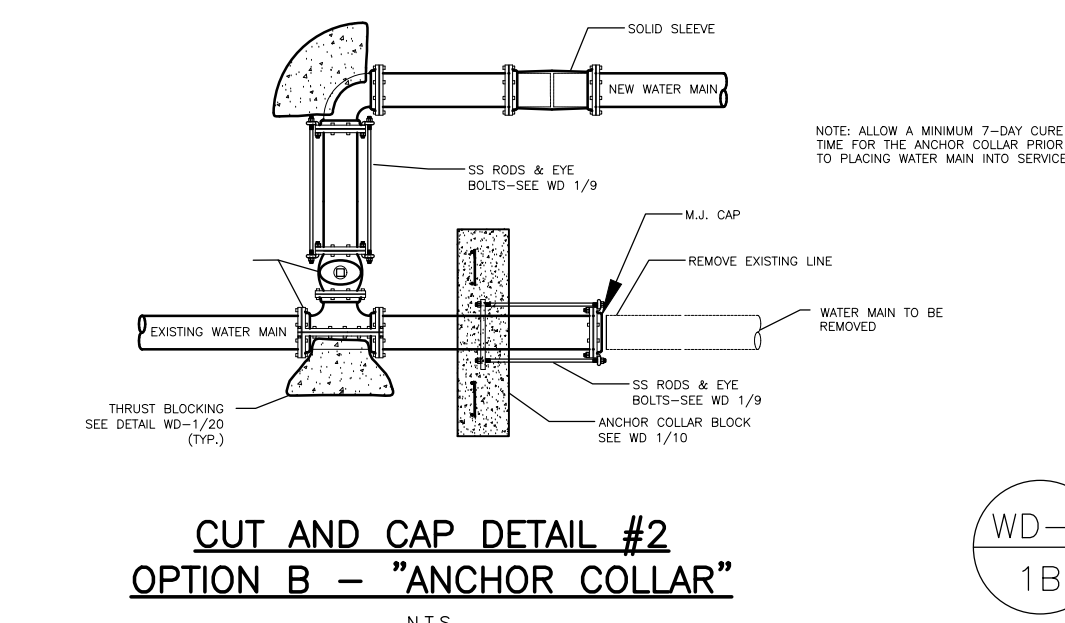
REVISION DATE: 9/20/2022

SHEET NO.: WD-1



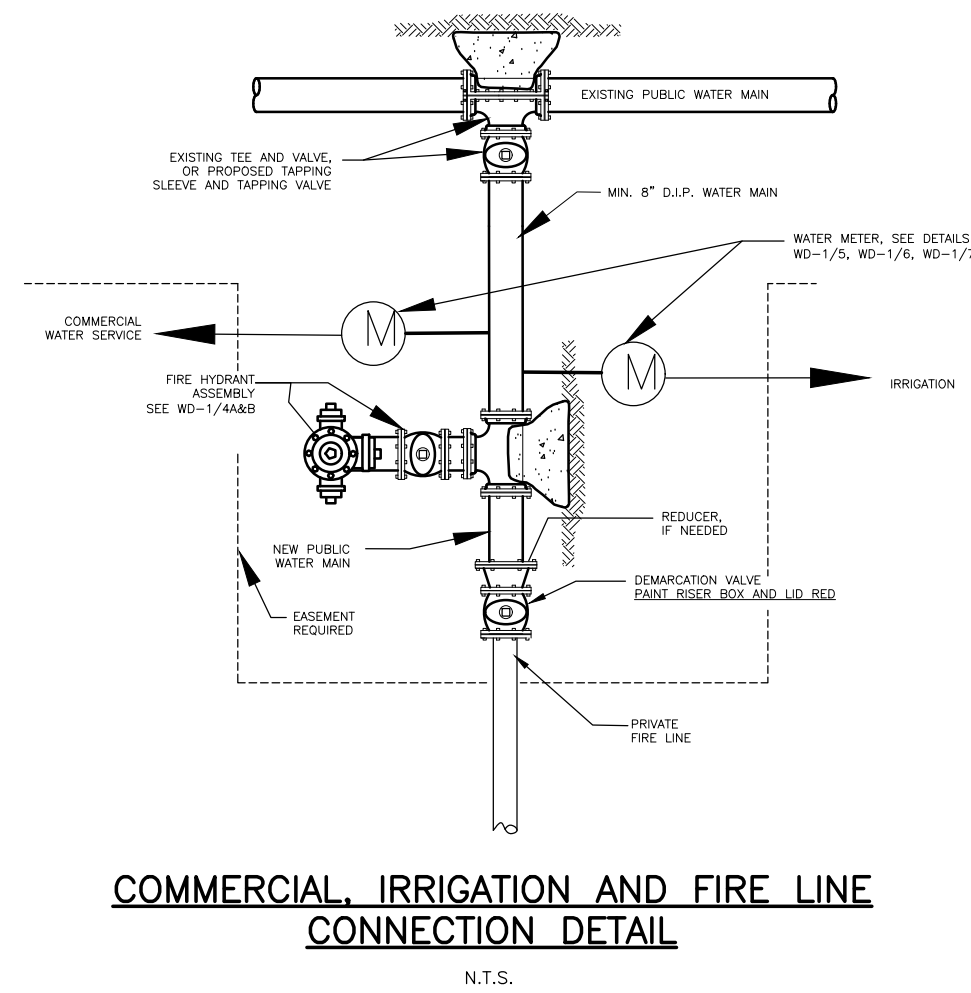
**CUT AND CAP DETAIL
OPTION A - "HOT-BLOCK"**
N.T.S.

WD-2
1A
REV. 12/2021



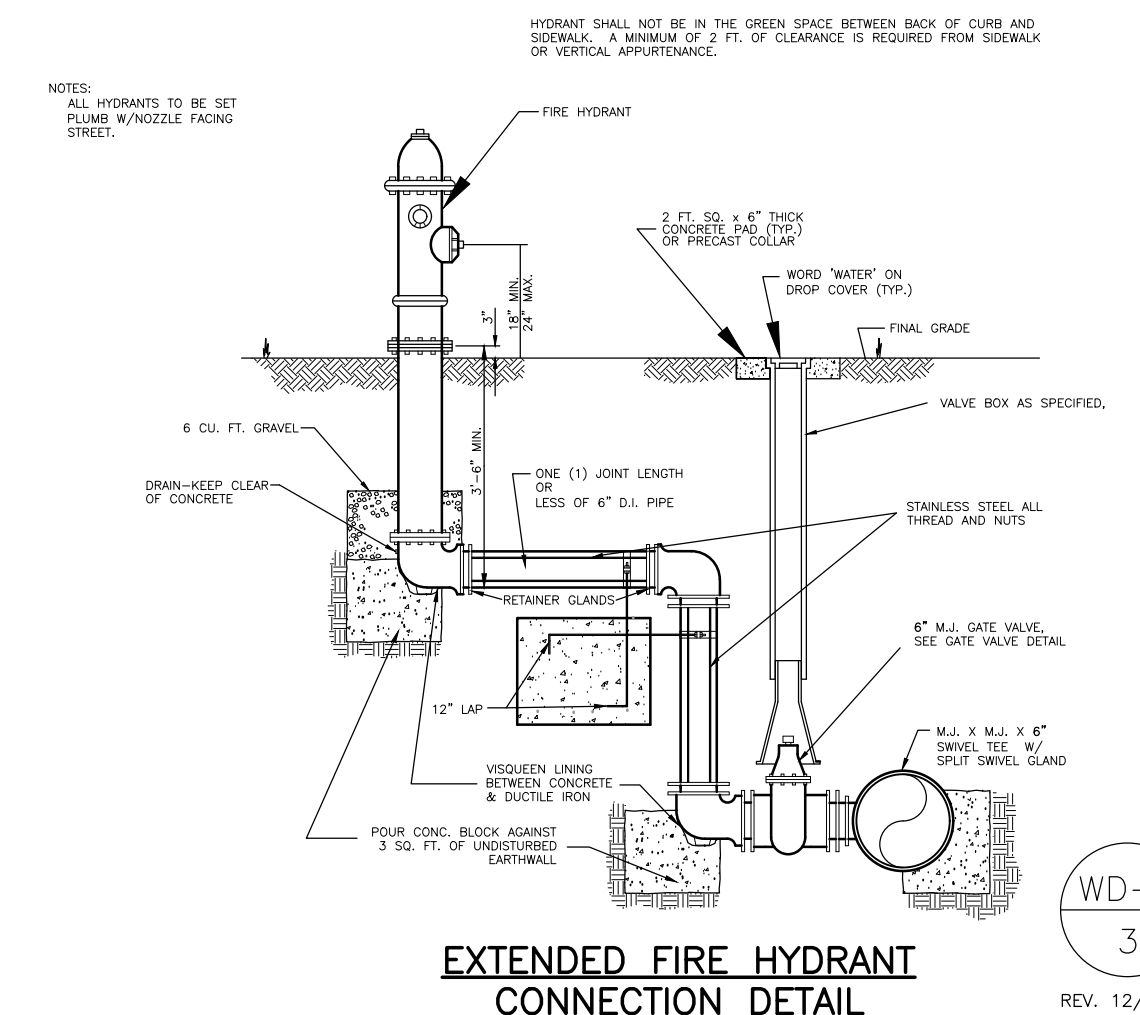
**CUT AND CAP DETAIL #2
OPTION B - "ANCHOR COLLAR"**
N.T.S.

WD-2
1B
REV. 01/2022



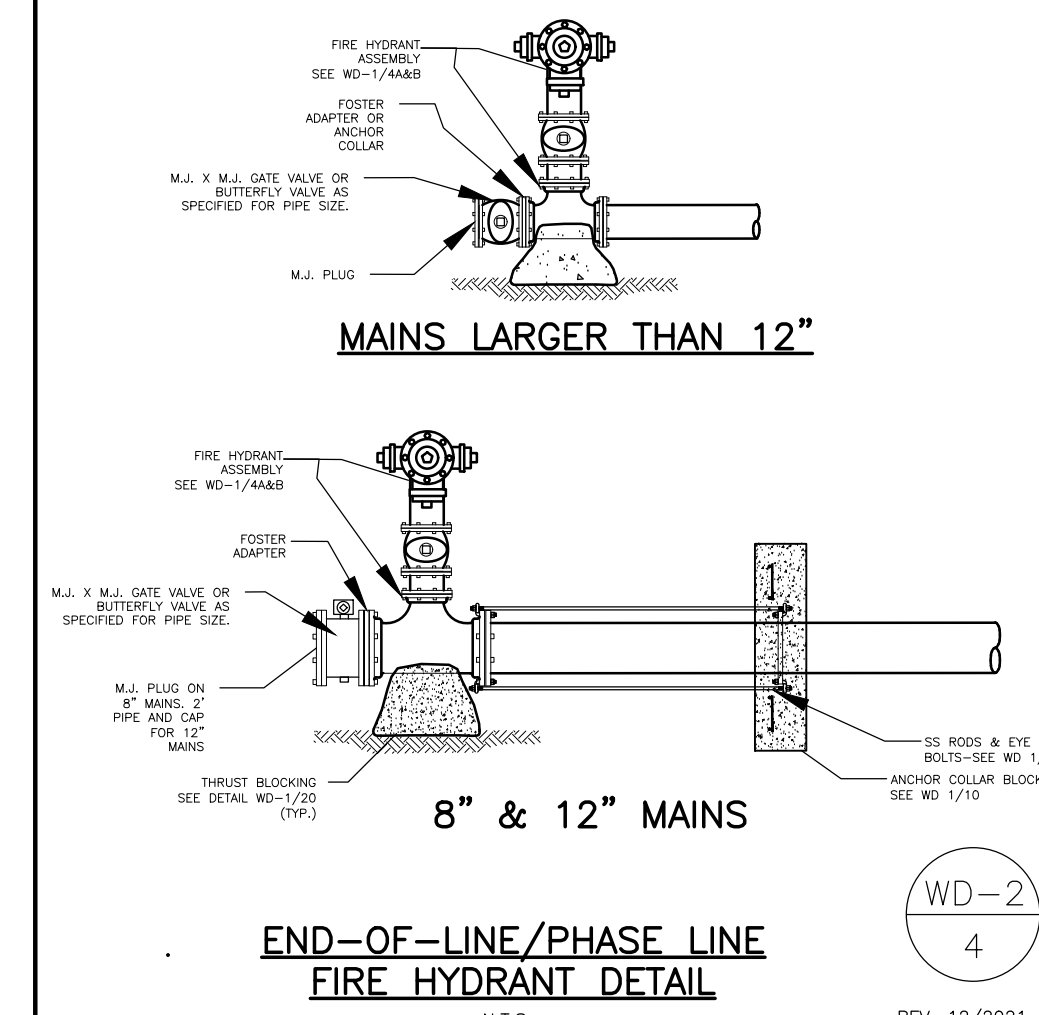
**COMMERCIAL IRRIGATION AND FIRE LINE
CONNECTION DETAIL**
N.T.S.

WD-2
2
REV. 12/2021



**EXTENDED FIRE HYDRANT
CONNECTION DETAIL**
N.T.S.

WD-2
3
REV. 12/2021

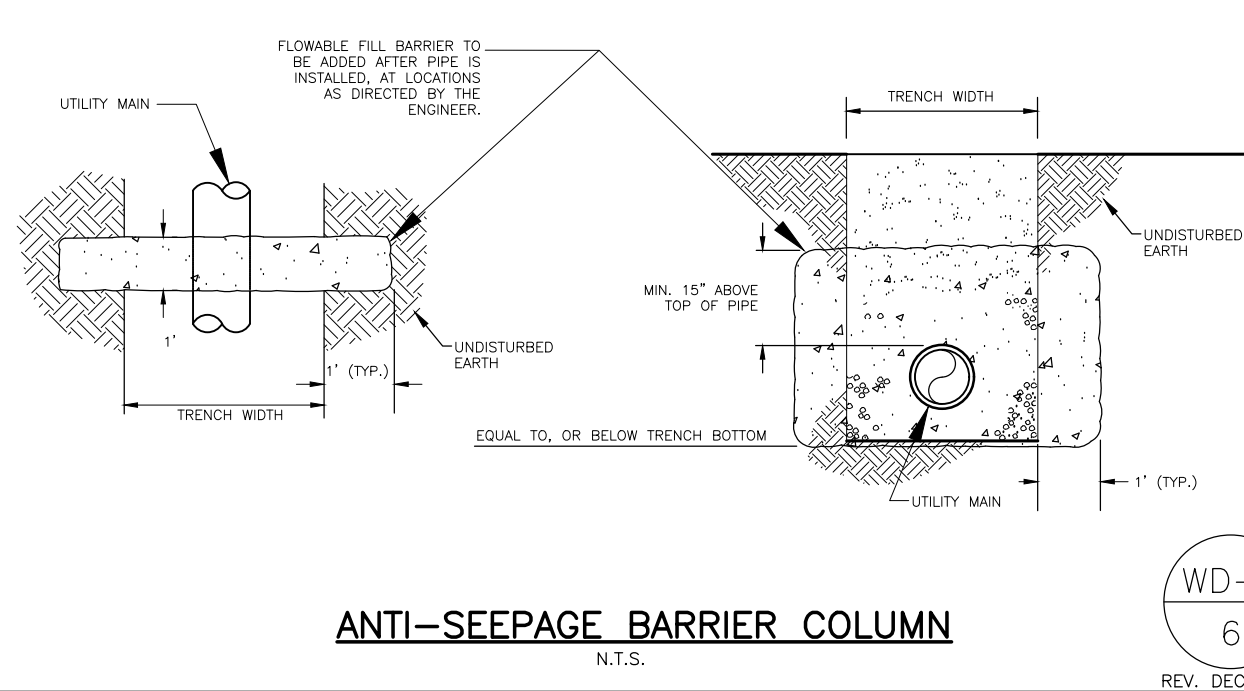


**END-OF-LINE/PHASE LINE
FIRE HYDRANT DETAIL**
N.T.S.

WD-2
4
REV. 12/2021

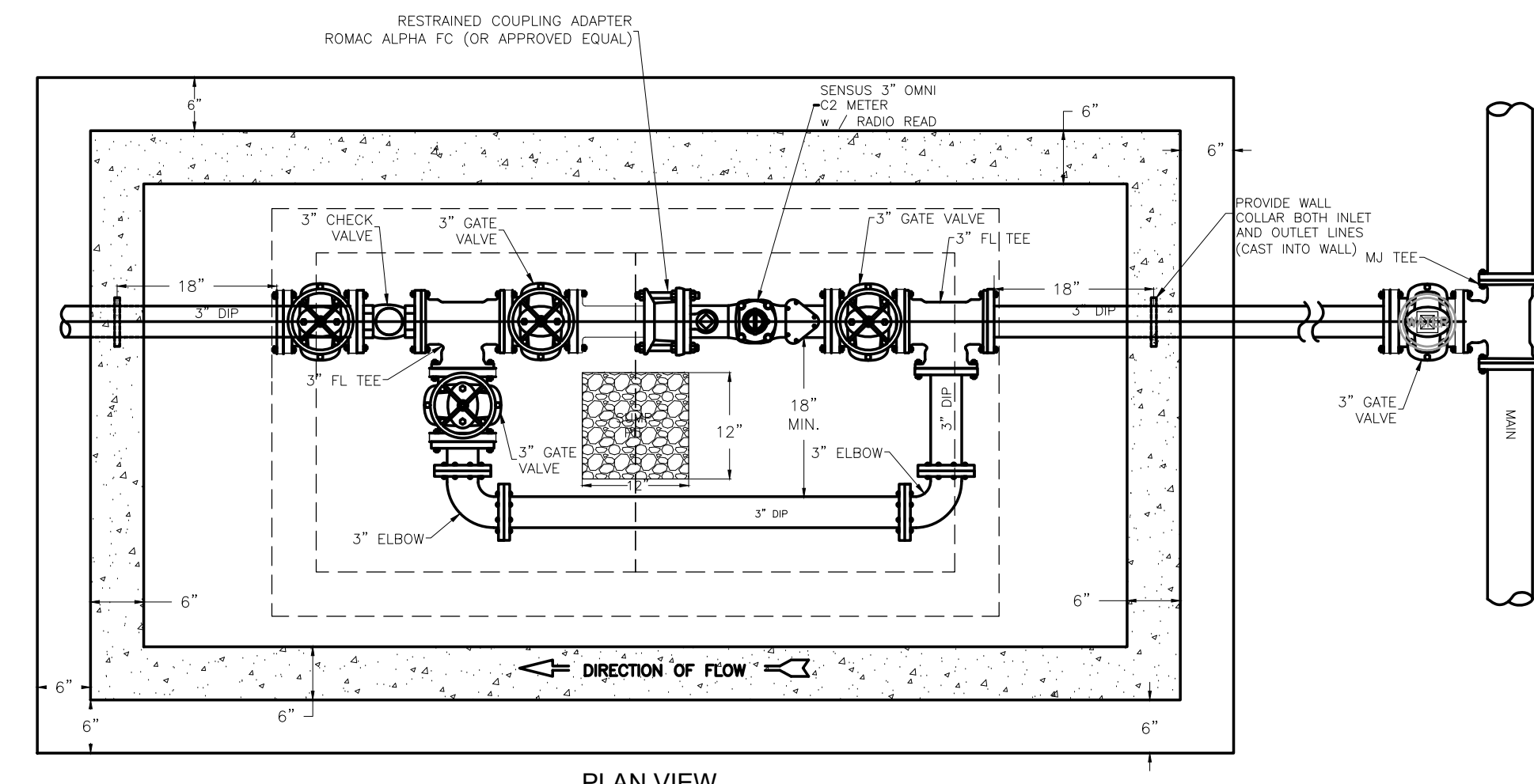
RESERVED

WD-2
5

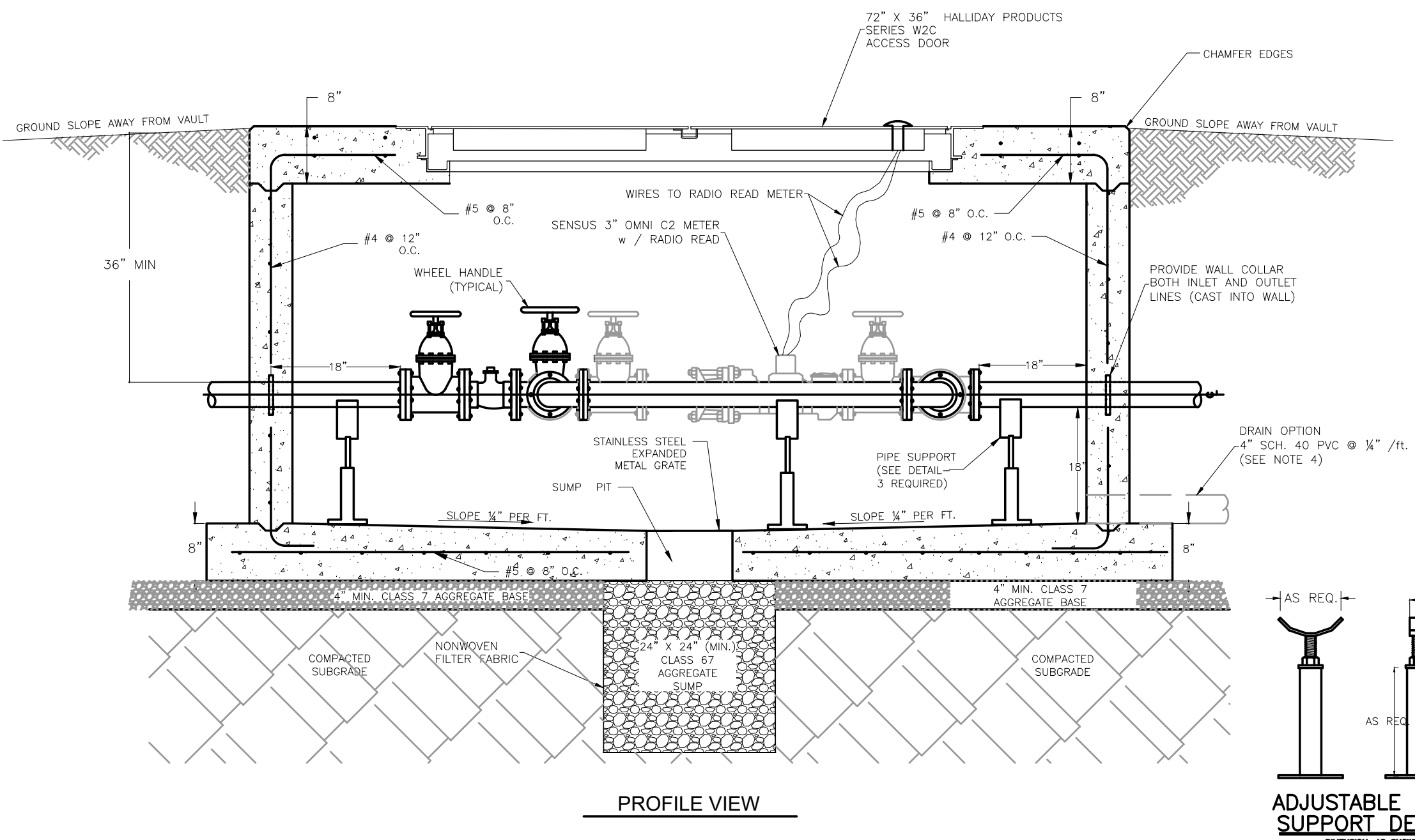


ANTI-SEEPAGE BARRIER COLUMN
N.T.S.

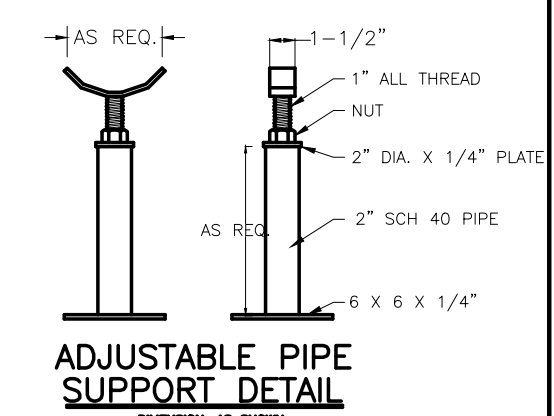
WD-2
6
REV. DEC. 2006



PLAN VIEW



PROFILE VIEW

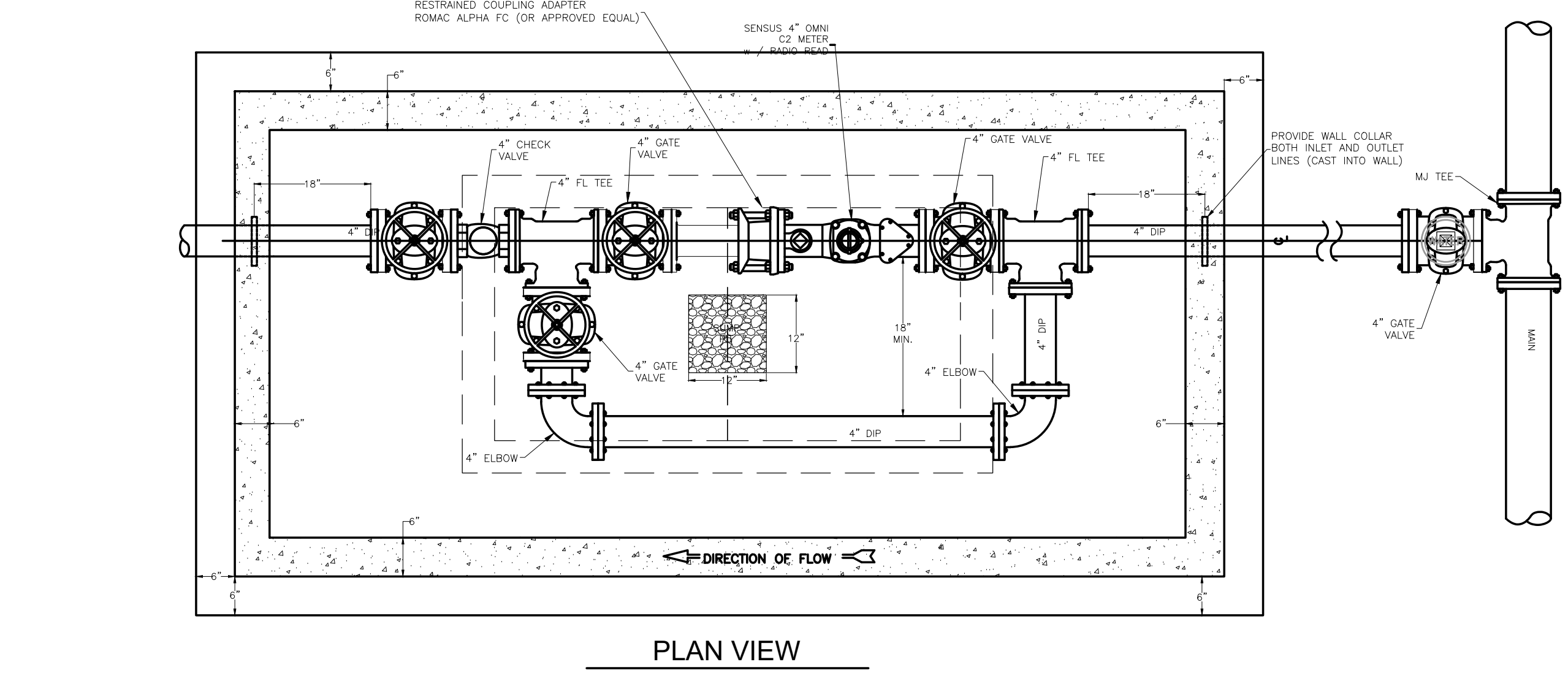


ADJUSTABLE PIPE SUPPORT DETAIL
DIMENSION AS SHOWN

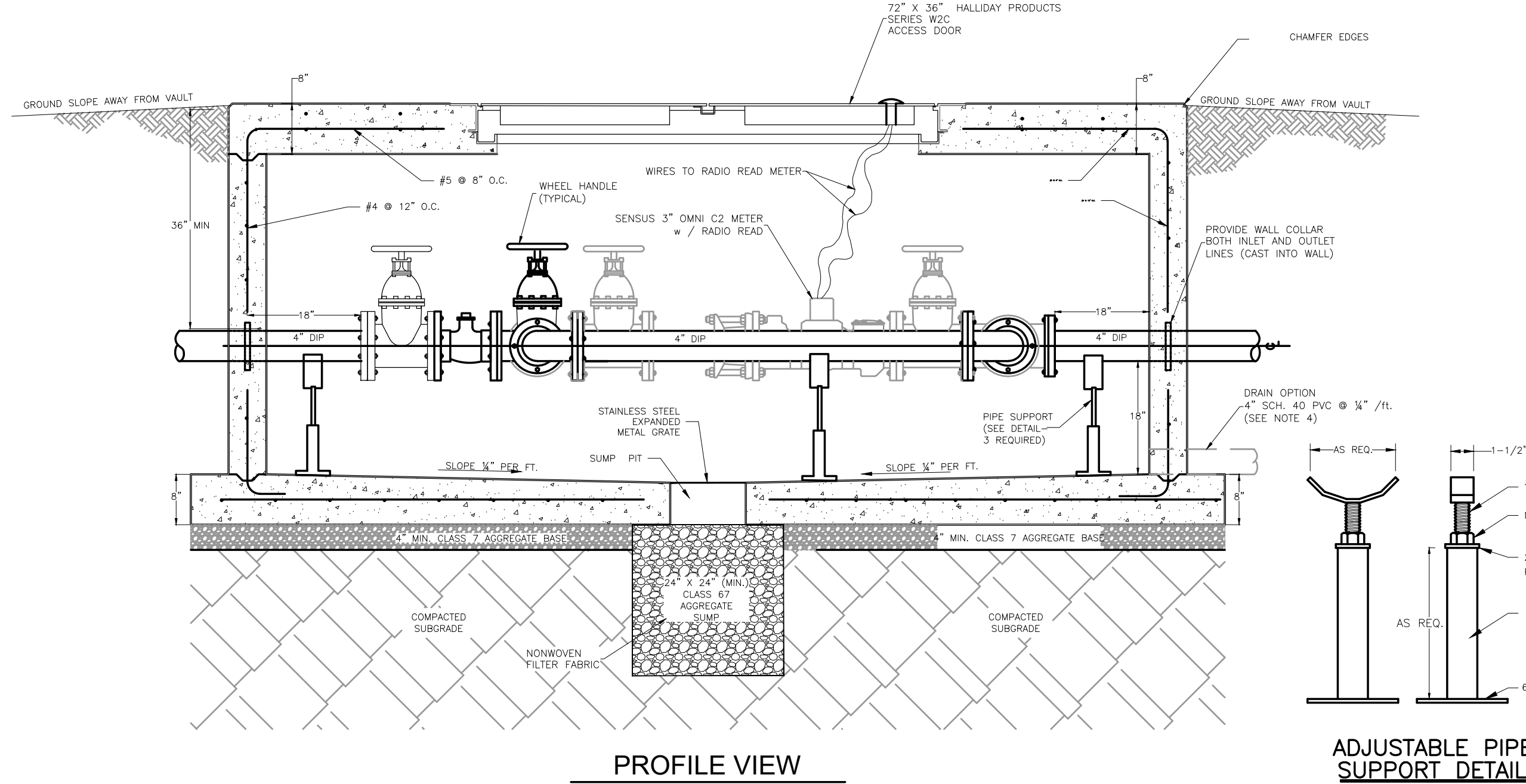
- NOTES:
- 1) METERS WILL BE INCLUDED WITH THE INSTALLATION TO ENSURE PROPER FIT.
 - 2) ALL BOLTS TO BE STAINLESS STEEL.
 - 3) SLOPE FLOOR TO DRAIN.
 - 4) IF POSSIBLE, PROVIDE 4" PVC DRAIN TO DAYLIGHT OR STORM SEWER. PROVIDE PVC CHECK IN DRAIN PIPE. THE AGGREGATE SUMP IS NOT REQUIRED IN THIS CASE.
 - 5) CONCRETE SHALL HAVE A MINIMUM COMPRESSIVE STRENGTH OF 4000 PSI.
 - 6) CONTRACTOR SHALL VERIFY ALL PART DIMENSIONS
 - 7) ALL MATERIALS AND LABOR FOR 3" METER VAULTS (INCLUDING METER) SHALL BE PROVIDED BY THE CONTRACTOR.

**3-INCH METER VAULT
NTS**

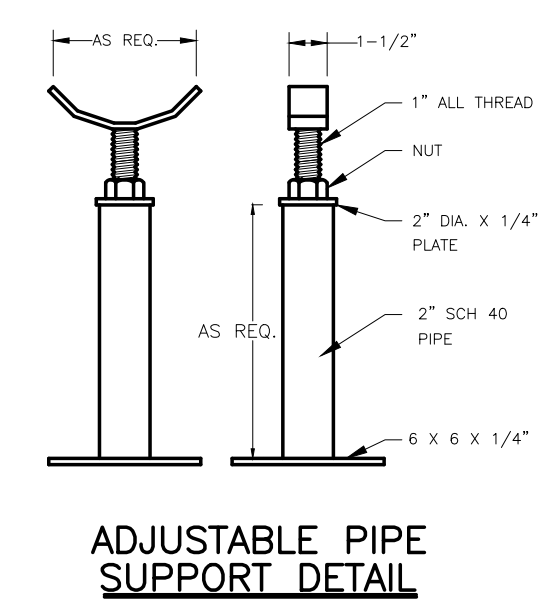
WD-2
9
REV. 09/2022



PLAN VIEW



PROFILE VIEW



ADJUSTABLE PIPE SUPPORT DETAIL
DIMENSION AS SHOWN

- NOTES:
- 1) METERS WILL BE INCLUDED WITH THE INSTALLATION TO ENSURE PROPER FIT.
 - 2) ALL BOLTS TO BE STAINLESS STEEL.
 - 3) SLOPE FLOOR TO DRAIN.
 - 4) IF POSSIBLE, PROVIDE 4" PVC DRAIN TO DAYLIGHT OR STORM SEWER. PROVIDE PVC CHECK IN DRAIN PIPE. THE AGGREGATE SUMP IS NOT REQUIRED IN THIS CASE.
 - 5) CONCRETE SHALL HAVE A MINIMUM COMPRESSIVE STRENGTH OF 4000 PSI.
 - 6) CONTRACTOR SHALL VERIFY ALL PART DIMENSIONS
 - 7) ALL MATERIAL AND LABOR FOR 4" METER VAULT (INCLUDING METER) SHALL BE PROVIDED BY THE CONTRACTOR.

**4-INCH METER VAULT
NTS**

WD-2
10
REV. 09/2022

WATER DETAILS



P.O. DRAWER 338
601 SOUTH 2ND ROGERS, ARKANSAS
72757-0338

REVISION DATE: 9/20/2022
SHEET NO.: WD-2

